

4

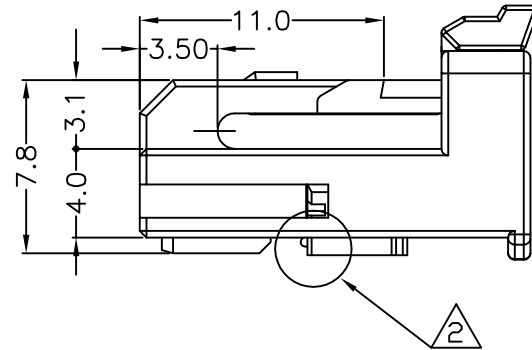
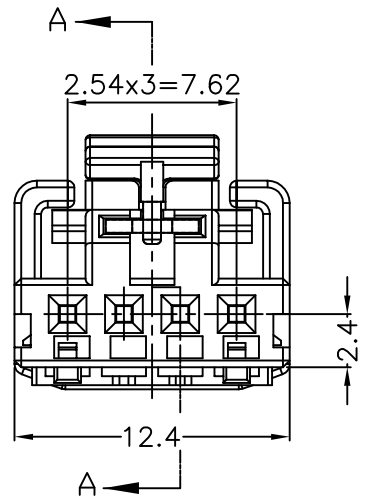
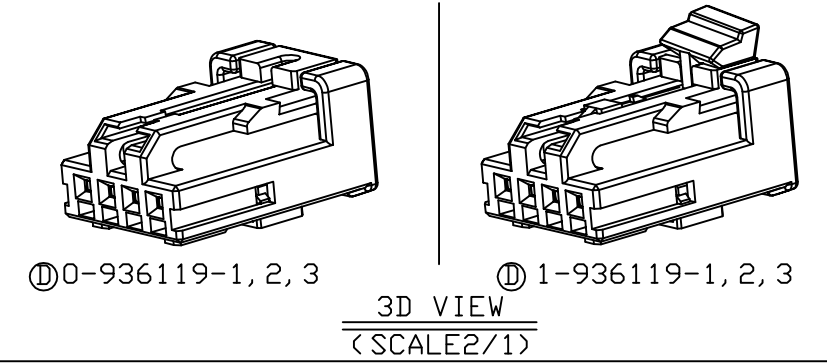
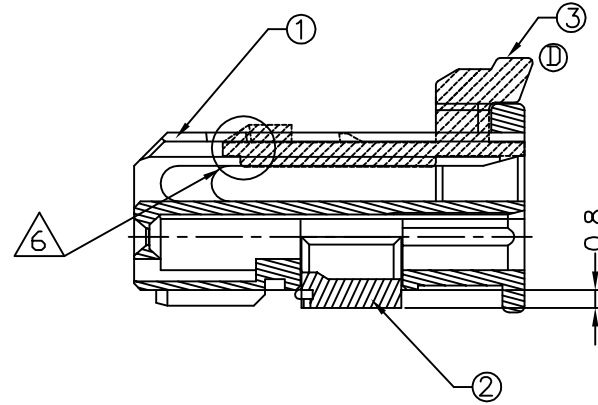
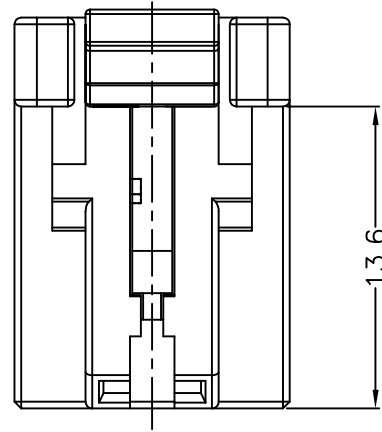
3

2

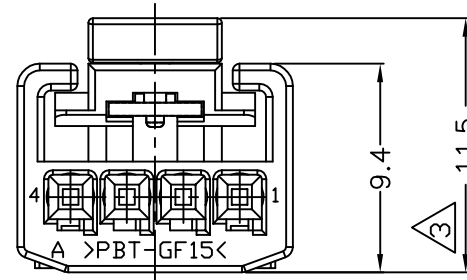
1

THIS DRAWING IS UNPUBLISHED. RELEASED FOR PUBLICATION  
COPYRIGHT BY TYCO ELECTRONICS CORPORATION, ALL RIGHTS RESERVED.

LOC	DIST	REVISIONS					
DS	-	P	LTR	DESCRIPTION	DATE	DWN	APVD
		E		REVISED (ECR-13-008383)	16, MAY, '13	JM	HG



SECTION A-A  
(SCALE 2/1)



NOTES

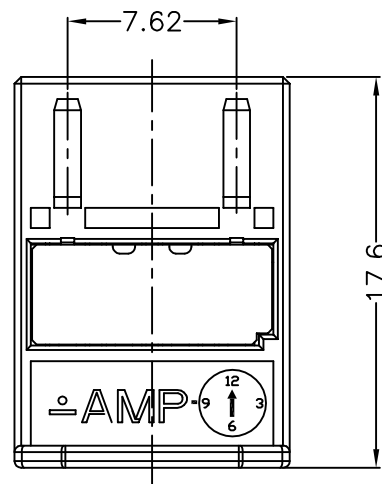
- GENERAL TOLERANCE IS  $\pm 0.3$
- CONDITION OF DELIVERY : DBL IN 1ST LOCKING POSITION
- 1-936119-1,2,3 ONLY
- APPLIED CAP ASS'Y P/N: 936121
- APPLIED RECEPTACLE CONTACT P/N:

Part NO.	928999	963715
WIRE SIZE(mm <sup>2</sup> )	0.25~0.5	0.75

- CONDITION OF DELIVERY : CPA IN 1ST LOCKING POSITION

ASSY P/N	DESCRIPTION
1-936119-3	PLUG ASS'Y WITH CPA
0-936119-3	PLUG ASS'Y (DARK GRAY)
1-936119-2	PLUG ASS'Y WITH CPA
0-936119-2	PLUG ASS'Y (YELLOW)
1-936119-1	PLUG ASS'Y WITH CPA
0-936119-1	PLUG ASS'Y (BLACK)

NO	COLOR	MATERIAL	DESCRIPTION	P/N	QTY
3	WHITE	PBT-GF20	CPA HSG	936353-1	1
2	WHITE	PBT-GF15	DBL HSG	936123-1	1
1	DARK GRAY	PBT-GF15	PLUG HSG	936120-3	1
	YELLOW	PBT-GF15	PLUG HSG	936120-2	1
	BLACK	PBT-GF15	PLUG HSG	936120-1	1



THIS DRAWING IS A CONTROLLED DOCUMENT FOR TYCO ELECTRONICS CORPORATION IT IS SUBJECT TO CHANGE AND THE CONTROLLING ENGINEERING ORGANIZATION SHOULD BE CONTACTED FOR THE LATEST REVISION.

DIMENSIONS: MM	TOLERANCES UNLESS OTHERWISE SPECIFIED: 0 PLC ± 1 PLC ± 2 PLC ± 3 PLC ± 4 PLC ± ANGLES ±	DWN : JM JEON	TE connectivity <b>MQS 4P PLUG ASSEMBLY</b>	
		CHK : JW JUNG		
3rd ANGLE PROJECTION	MATERIAL SEE TABLE	APVD : HG CHD		NAME
		PRODUCT SPEC		RESTRICTED TO
		APPLICATION SPEC	SIZE CAGE CODE DRAWING NO	
		WEIGHT	A3 00779 C- 936119	
CUSTOMER DRAWING			SCALE 3/1 SHEET 1 OF 1 REV E	